



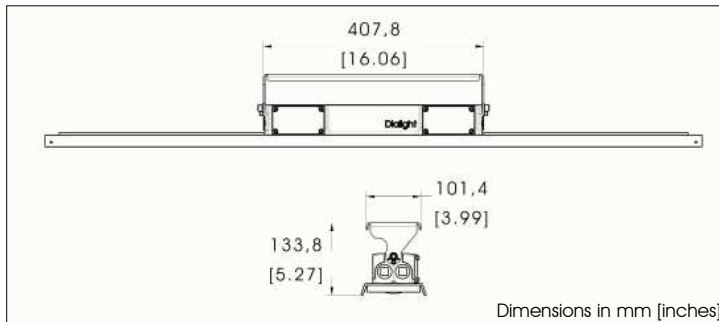
DuroSite® LED Linear Fixture - CE  
for Indoor and Outdoor Industrial Applications





## DuroSite® LED Linear - CE

### Low profile



#### Certifications & Ratings

- CE
- EN55015
- EN61547
- EN60598-1
- EN61000-3-2
- EN62031
- EN62471
- IP66 / 67

#### Features & Benefits

- 5-year full performance warranty
- L70 rated for >100,000 hours @ 25°C
- Instant on/off operation
- Resistant to water, salt, dust & vibration
- Universal input (100 - 277V AC), 50/60Hz
- Mercury free
- Temperature compensation technology for longer life
- Factory sealed
- Integrated wiring box
- Low profile housing for limited space applications
- Dual M25 entries for in / out wiring
- Through wiring as standard

#### Application

Dialight's DuroSite® Low Profile LED linear replaces HID and fluorescent lighting fixtures in industrial applications. The luminaire's rugged solid state design makes it highly resistant to shock and vibration. Its fully-gasketed enclosure makes it suitable for dusty & wet locations, and guarantees added protection from water. The DuroSite® Low Profile LED Linear's superior design allows for wiring and mounting versatility and ease of installation for many lighting applications.

#### Mechanical Information

<b>Fixture Weight:</b>	6 kg (13 lbs) - 1.2m (4') 5 kg (10 lbs) - 0.6m (2')
<b>Shipping Weight:</b>	10 kg (18 lbs) - 1.2m (4') 9 kg (15 lbs) - 0.6m (2')
<b>Mounting:</b>	(4) M25 openings Factory-installed 316 stainless steel swivel bracket - LPXW4

#### Electrical Specifications

<b>Operating Voltage:</b>	100 - 277V AC 50/60Hz
<b>Power Consumption:</b>	See ordering information
<b>Operating Temp:</b>	-40°C to +65°C (-40°F to +149°F)

#### Noise Requirements/ EMC:

EN 55015 - conducted and radiated  
EN 61000-3-2, EN 61000-4-2,  
EN 61000-4-3, EN 61000-4-4,  
EN 61000-4-6, EN 61000-4-11

#### Surge Protection:

EN 61000-4-5  
4 kV line to line, 4 kV line to ground

#### THD:

< 20%

#### Power Factor:

> 0.9

#### Power supply equipped with inline fuse

#### Construction

**Body:** Powder coated aluminium

**Lens:** Polycarbonate

#### Photometric Information

**CRI:** 75

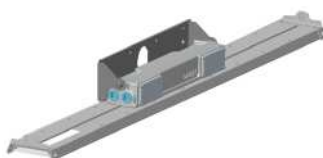
**CCT:** 5000K (Cool White)

**IES Files:** Available upon request

All values typical unless otherwise stated  
All lumen values are typical (tolerance +/- 10%)  
\*Consult factory for 80 min CRI

## Mounting Bracket - LPXW4

Side Mount

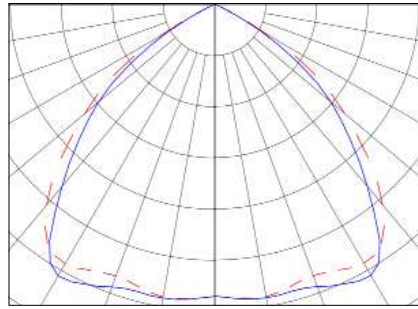


Top Mount



# DuroSite® LED Linear - CE

## Ordering Information







Part Number	Length	Voltage	CCT (colour)	Lens	Fixture Lumens <sup>2,3</sup>	Watt	LPW
LPE3C4D2P	0.6m (2')	100 - 277V AC	5000K (cool white)	Clear	3,600	33	109
LPE3C4M2P	1.2m (4')	100 - 277V AC	5000K (cool white)	Clear	7,250	66	110
LPE3C4B2D	0.6m (2')	100 - 277V AC	5000K (cool white)	Textured	3,400	33	103
LPE3C4H2D	1.2m (4')	100 - 277V AC	5000K (cool white)	Textured	6,900	66	105
LPE3C4B2W	0.6m (2')	100 - 277V AC	5000K (cool white)	Diffused	3,300	33	100
LPE3C4H2W	1.2m (4')	100 - 277V AC	5000K (cool white)	Diffused	6,700	66	102

**Notes:**

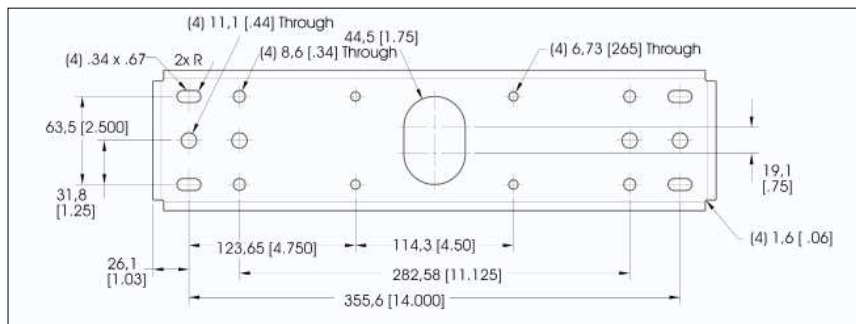
Part numbers listed in the above table are cool white. For neutral white models replace the 5th character with an **N**. e.g.: LPE3**C**4D2P becomes LPE3**N**4D2P

<sup>2</sup>Expect a 10% reduction in Lumens for 80 CRI minimum fixtures

<sup>3</sup>All lumen values are typical (tolerance +/- 10%)

	Part Number	Material	Description	Kit Includes
	LPXW4	316 Stainless steel	Mounting bracket Can be angled at 0°, 30°, 45°, 60° & 90°	Mounting bracket Mounting hardware
	LPXW4LP	316 Stainless steel	Low profile mounting bracket Can be angled at 0° and 15°	Mounting bracket Mounting hardware
	LTXENDCAPKIT	304 Stainless steel	Chain mount and secondary retention bracket	2 Brackets Mounting hardware
	LTXSAFEKIT	304 Stainless steel	Safety cable kit for secondary retention	2 Brackets 2 53" Safety cables Mounting hardware

## Mounting Bracket - LPXW4



Dimensions in mm [inches]

Dialight reserves the right to make changes at any time in order to supply the best product possible. The most current version of this document will always be available at: [www.dialight.com/Assets/Brochures\\_And\\_Catalogs/Illumination/MDTDLINX001.pdf](http://www.dialight.com/Assets/Brochures_And_Catalogs/Illumination/MDTDLINX001.pdf). Warranty Statement: EXCEPT FOR THE WARRANTY EXPRESSLY PROVIDED FOR [HEREIN/ABOVE/BELOW], DIALIGHT DISCLAIMS ANY AND ALL OTHER WARRANTIES, EXPRESS OR IMPLIED, INCLUDING, WITHOUT LIMITATION, ANY WARRANTIES OF MERCHANTABILITY, FITNESS FOR A PARTICULAR PURPOSE, TITLE, AND NON-INFRINGEMENT.

**DuroSite® LED Linear Fixture - CE**  
for Indoor and Outdoor Industrial Applications

