



Patent Pending

DuroSite® LED High Bay - VDE
for Indoor and Outdoor Industrial Applications

DuroSite® LED High Bay



Features & Benefits

- 10 year full performance warranty
- L70 rated for > 100,000 hours @ 25°C ambient
- Up to 98lm/W
- Significant energy savings
- Instant on/off
- Maintenance free
- Mercury free
- No UV or IR
- Produces minimal heat compared to traditional fixtures
- Reflector based optics for precise light control
- Resistant to shock and vibration
- Temperature compensation technology for long life
- Copper free aluminum
- Typical payback < 2 years

About Dialight

Dialight (LSE: DIA.L) is leading the energy efficient LED lighting revolution around the world for industrial and hazardous areas as well as transportation and infrastructure applications. For 40 years it has been committed to the development of LED lighting solutions that enable organizations to vastly reduce energy use and maintenance needs, improve safety, ease disposal and reduce CO2 emissions.

History at a Glance

- 1938 → Dialight founded in Brooklyn, NY
- 1971 → LED Circuit Board Indicator
- 1994 → LED Transit Vehicle Signals
- 1995 → LED Traffic Signals
- 2000 → FAA certified LED Obstruction Lights
- 2007 → LED Lighting for Hazardous Locations
- 2009 → LED High Bay Fixtures
- 2012 → Full performance 10-year warranty
- 2013 → Controls for LED Lighting
- 2014 → Vigilant® LED High Bay

Typical Applications

- Oil, Gas & Petrochemical
- Power Generation
- Mining
- Chemical
- Pharmaceutical
- Water & Sewage
- Food & Beverage
- Manufacturing
- Warehousing
- Cold Storage

DuroSite High Bay Mounting Chart

Lumens	Wattage	lm/W	Mounting Heights
16,750	166	101	
14,250	150	95	
11,000	140	79	
10,750	138	78	
10,500	140	75	
10,000	138	72	5m

View the full case studies at:

- G.S. Dunn Limited** - www.dialight.com/news/details/gsdunn_case_study
- Rockline Industries** - www.dialight.com/news/details/rockline_case_study
- MedSafe** - www.dialight.com/news/details/medsafe_case_study
- Kuehne + Nagel** - www.dialight.com/news/details/kuehne_nagel_case_study

Dialight also offers their products for Hazardous Locations

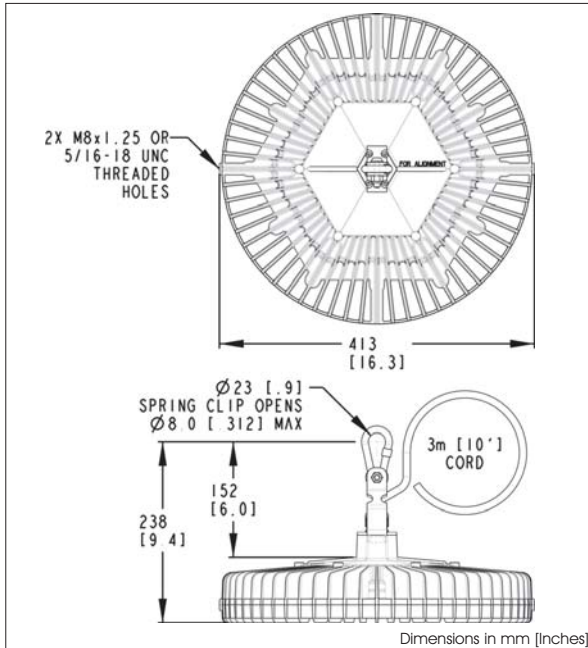


Complete your own Return on Investment calculation at: www.dialight.com/tcoCalculator/Durosite_HighBay



DuroSite® LED High Bay

VDE / CE



Certifications & Ratings:

- VDE
 - Certificate #40038420
- CE
 - EN 55015:2006
 - EN 61547:2009
 - EN 60598:2008
 - EN 62471:2008
- IEC60068 salt spray testing- severity 1
- IK10 to EN50102 - polycarbonate lens
- IK06 to EN50102 - Acrylic lens
- IK05 to EN50102 - Glass lens
- IP 66 to EN60529

Features and Benefits

- 10 year full performance warranty
- L70 rated for >100,000 hours @ 25°C ambient
- Instant on/off operation
- Universal power supply
- Superior colour rendition index compared to HPS, LPS, MV
- Mercury free
- Resistant to shock and vibration
- Temperature compensation technology for longer life
- Factory sealed

Application:

The Dialight DuroSite® LED High Bay luminaire was designed specifically to replace conventional lighting in a wide variety of industrial applications, both indoor and outdoor. Its low profile, light weight design and versatile mounting options make it ideal for many applications such as high bay lighting, warehouses, factories, cold stores, restricted access areas, service areas and other applications with mounting heights greater than 4 meters.

All of Dialight's long life LED luminaires are designed to meet the most demanding specification criteria while offering maximum energy savings, reduced maintenance costs, and a superior quality of light. Hazardous area versions are also available.

Mechanical Information

Fixture Weight:	8 kg (18 lbs)
Shipping Weight:	11kg (24 lbs)
Mounting:	Hook (included) or Swivel bracket (supplied separately)
Cabling:	3m (10') PVC Power Cord (Junction box models available)

Electrical specifications

Operating Voltage:	100-277V AC
Total System Power Consumption:	See table
Operating Temp:	-40°C to +65°C (-40°F to +149°F)
Harmonics:	EN 61000-3-2
Surge Protection:	6kV/2 ohm, 1.2/50us, 8/20us combination wave, as per IEEE C62.41, line-line and line-ground
THD:	<20%
Power Factor:	> 0.9

Construction

Housing:	Copper free aluminium
Finish:	Light grey powder coated
Lens:	Acrylic - PMMA Polycarbonate - PC Tempered Glass

Photometric Information

CRI:	>70
CCT:	See Table





All values typical unless otherwise stated
All lumen values are typical +/- 10%

DuroSite® LED High Bay Fixture

Ordering Information

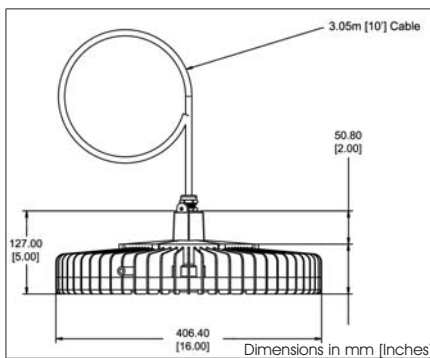
Part Number	Initial Fixture Lumens	Wattage	Lumens Per Watt	Lens		Colour Temperature	Optical Pattern
				Clear	Diffused		Circular
Bracket Mounting							
HBGCMPEU-DE	16,750	166	101	Glass		5,000K	•
HBGC4PEU-DE	14,250	150	95	Glass		5,650K	•
HB1C4NEU-DE	11,000	140	79	Acrylic		5,650K	•
HB0C4MEU-DE	10,750	138	78	Polycarbonate		5,650K	•
HB5C4NEU-DE	10,500	140	75		Acrylic	5,650K	•
HB2C4MEU-DE	10,000	138	72		Polycarbonate	5,650K	•
Hook Mounting							
HBGCMPEUH-DE	16,750	166	101	Glass		5,000K	•
HBGC4PEUH-DE	14,250	150	95	Glass		5,650K	•
HB1C4NEUH-DE	11,000	140	79	Acrylic		5,650K	•
HB5C4NEUH-DE	10,750	138	78		Acrylic	5,650K	•
HB0C4MEUH-DE	10,500	140	75	Polycarbonate		5,650K	•
HB2C4MEUH-DE	10,000	138	72		Polycarbonate	5,650K	•

Mounting Options and Accessories

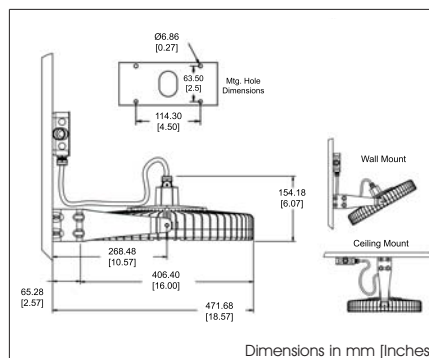
	Part Number	Description	Kit Includes
	HBXW3	Swivel Bracket Grey powder coated aluminium (Interior or exterior use)	Swivel Bracket Bracket to fixture hardware
	HBXGS-10	Glare Shield - sets of 10 Grey (RAL7001) powder coated spun aluminium (Interior use only, for use with flat lens options)	Aluminium shield and securing hardware
	HBXSBK	Sand blast kit (flat lens)	Bracket and flat lens
	HBXSBL	Sacrificial flat Lens	Replacement flat lens
	HBXSBDK	Sand blast kit (dome lens)	Bracket and dome lens
	HBXSBDL	Sacrificial dome Lens	Replacement dome lens

Mechanical Drawings

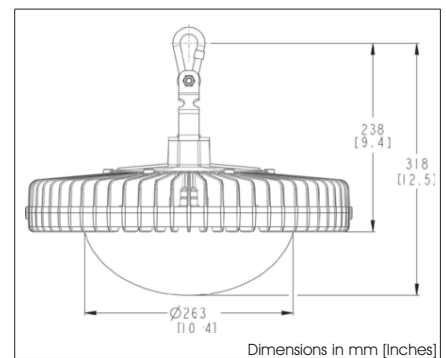
HBXXXX-EU (Standard models)



HBXW3



HBLXXX-EUH (Dome lens type)



Dialight reserves the right to make changes at any time in order to supply the best product possible. The most current version of this document will always be available at: www.dialight.com/Assets/Brochures_And_Catalogs/Illumination/MDEXHBVDEEU001.pdf
Warranty Statement: EXCEPT FOR THE WARRANTY EXPRESSLY PROVIDED FOR [HEREIN/ABOVE/BELOW], DIALIGHT DISCLAIMS ANY AND ALL OTHER WARRANTIES, EXPRESS OR IMPLIED, INCLUDING, WITHOUT LIMITATION, ANY WARRANTIES OF MERCHANTABILITY, FITNESS FOR A PARTICULAR PURPOSE, TITLE, AND NON-INFRINGEMENT.