



DuroSite® LED High Bay - CE for Indoor and Outdoor Industrial Applications



Patent Pending

DuroSite® LED High Bay



About Dialight

Dialight (LSE: DIA.L) is leading the energy efficient LED lighting revolution around the world for industrial and hazardous areas as well as transportation and infrastructure applications. For 40 years it has been committed to the development of LED lighting solutions that enable organizations to vastly reduce energy use and maintenance needs, improve safety, ease disposal and reduce CO₂ emissions.

History at a Glance

- 1938 → Dialight founded in Brooklyn, NY
- 1971 → LED Circuit Board Indicator
- 1994 → LED Transit Vehicle Signals
- 1995 → LED Traffic Signals
- 2000 → FAA certified LED Obstruction Lights
- 2007 → LED Lighting for Hazardous Locations
- 2009 → LED High Bay Fixtures
- 2012 → Full performance 10-year warranty
- 2013 → Controls for LED Lighting
- 2014 → 125 Lumens per Watt

DuroSite High Bay Mounting Chart

| Lumens | Wattage | lm/W | Mounting Heights |
|--------|---------|------|------------------|
| 25,000 | 270 | 90 | 24m 5m |
| 17,500 | 172 | 102 | |
| 14,500 | 153 | 95 | |
| 12,000 | 146 | 82 | |
| 10,000 | 137 | 73 | |

Typical Applications

- Oil, Gas & Petrochemical
- Power Generation
- Mining
- Chemical
- Pharmaceutical
- Water & Sewage
- Food & Beverage
- Manufacturing
- Warehousing
- Cold Storage

View the full case studies at:

G.S. Dunn Limited - www.dialight.com/news/details/gsdunn_case_study

Rockline Industries - www.dialight.com/news/details/rockline_case_study

MedSafe - www.dialight.com/news/details/medsafe_case_study

Kuehne + Nagel - www.dialight.com/news/details/kuehne_nagel_case_study

Dialight also offers their products for Hazardous Locations

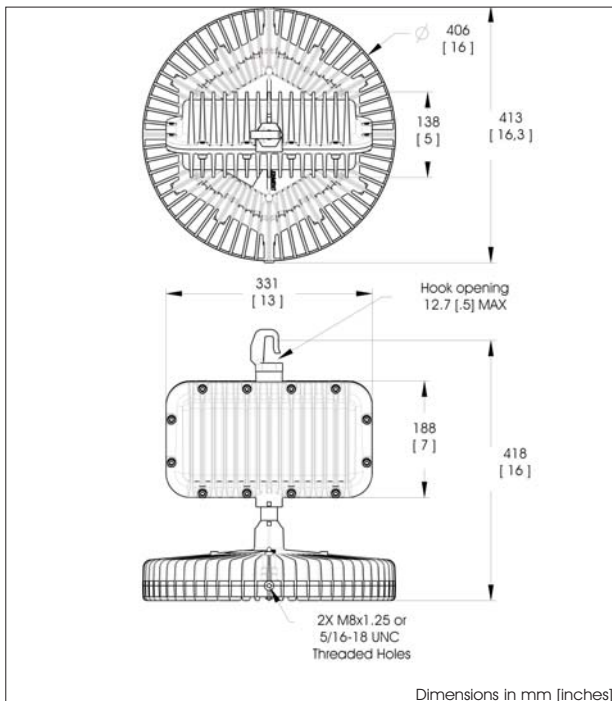


Complete your own return on investment calculation at: www.dialight.com/tcoCalculator/Durosite_HighBay

www.dialight.com



DuroSite® LED High Bay - CE 25,000 Lumen



Certifications & Ratings:

- CE
 - EN 55015:2006
 - EN 61547:2009
 - EN 60598:2008
 - EN 62471:2008
- IK05 to EN50102
- IP 66 to EN60529

Features & Benefits

- 10 year full performance warranty
- L70 rated for >100,000 hours @ 25°C ambient
- Instant on/off operation
- Universal power supply
- Superior colour rendition index compared to HPS, LPS, MV
- Mercury free
- Resistant to shock and vibration
- Temperature compensation technology for longer life
- Factory sealed

Application:

The first of its kind, the Dialight DuroSite® LED High Bay luminaire was designed specifically to replace conventional lighting in a wide variety of industrial applications, both indoor and outdoor. Now providing 25,000 lumens, the High Bay is a great fit for applications such as high bay lighting, warehouses, factories, cold stores, restricted access areas, service areas and other applications.

All of Dialight's long life LED luminaires are designed to meet the most demanding specification criteria while offering maximum energy savings, reduced maintenance costs, and a superior quality of light. Hazardous area models are also available.

Mechanical Information

| | |
|------------------|---|
| Fixture Weight: | 13.6 kg (30 lbs) |
| Shipping Weight: | 15.88 kg (35 lbs) |
| Mounting: | Hook (included) For other options consults factory |
| Cabling: | 3m (10') PVC Power Cord |

Electrical specifications

| | |
|---------------------------------|---|
| Operating Voltage: | 100-277V AC |
| Total System Power Consumption: | See table |
| Operating Temp: | -40°C to +65°C (-40°F to +149°F) |
| Harmonics: | EN 61000-3-2 |
| Noise Requirements/ EMC: | EN 61000-3-2: 2006 EN 61547: 2009 |
| Transient Protection: | 6kV/2 ohm, 1.2/50us, 8/20us combination wave, as per IEEE C62.41, line-line and line-ground |

THD: <20%

Power Factor: > 0.9

Construction

| | |
|----------|------------------------------------|
| Housing: | Copper free aluminium |
| Finish: | Light grey polyester powder coated |
| Lens: | Tempered Glass |

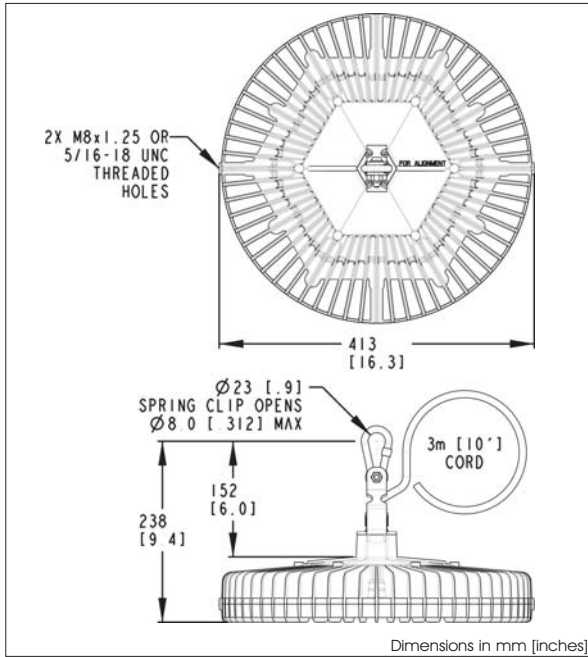
Photometric Information

| | |
|------|---|
| CRI: | 70+ or 80+ options |
| CCT: | 5,000K (cool white) 4,000K (neutral white) |

All values typical unless otherwise stated
All lumen values are typical +/- 10%



DuroSite® LED High Bay - CE 10,000 to 17,000 lumen



Certifications & Ratings:

- CE
 - EN 55015:2006
 - EN 61547:2009
 - EN 60598:2008
- EN 62471:2008
- ABS Design Assessed: # 12-HS950618-PDA
- Gost R
- IEC60068 salt spray testing- severity 1
- IK10 to EN50102 (polycarbonate lens)
- IK06 to EN50102 (Acrylic lens)
- IK05 to EN50102 (Glass lens)
- IP66 to EN60529

Features & Benefits

- 10 year full performance warranty available (14,000 lumen and up models only)
- 5 year full performance warranty standard (10,000 to 12,000lm models)
- L70 rated for >100,000 hours @ 25°C ambient
- Up to 102lm/W
- Significant energy savings
- Instant on/off
- Maintenance free
- Mercury free
- No UV or IR
- Produces minimal heat compared to traditional fixtures
- Reflector based optics for precise light control
- Resistant to shock and vibration
- Temperature compensation technology for long life
- Copper free aluminium
- Typical pay back < 2 years
- Wireless and DALI controls available for select models, please reference the controls brochure

http://www.dialight.com/Assets/Brochures_And_Catalogs/Illumination/CE_High_Bay_Controls.pdf

Application:

Dialight's DuroSite® LED High Bay luminaire was designed specifically to replace conventional lighting in a wide variety of industrial applications, both indoor and outdoor. Its low profile, light weight design and versatile mounting options make it ideal for many applications such as high bay lighting, warehouses, factories, cold stores, restricted access areas, service areas and other applications with mounting heights greater than 4 meters.

All of Dialight's long life LED luminaires are designed to meet the most demanding specification criteria while offering maximum energy savings, reduced maintenance costs, and a superior quality of light. Hazardous area models are also available.

Mechanical Information

| | |
|------------------|---|
| Fixture Weight: | 8 kg (18 lbs) |
| Shipping Weight: | 11kg (24 lbs) |
| Mounting: | Hook or Swivel bracket (supplied separately) |
| Cabling: | 3m (10') PVC Power Cord (Junction box model also available) |

Electrical specifications

| | |
|---------------------------------|---|
| Operating Voltage: | 100-277V AC |
| Total System Power Consumption: | See table |
| Operating Temp: | -40°C to +65°C (-40°F to +149°F) |
| Harmonics: | EN 61000-3-2 |
| Noise Requirements/ EMC: | EN 61000-3-2: 2006 EN 61547: 2009 |
| Transient Protection: | 6kV/2 ohm, 1.2/50us, 8/20us combination wave, as per IEEE C62.41, line-line and line-ground |

| | |
|---------------|-------|
| THD: | <20% |
| Power Factor: | > 0.9 |

Construction

| | |
|----------|--|
| Housing: | Copper free aluminium |
| Finish: | Light grey powder coated |
| Lens: | Acrylic (PMMA) Polycarbonate (PC) Tempered Glass |

Photometric Information

| | |
|------|---|
| CRI: | 70+ and 80+ options |
| CCT: | 5,650K (cool white) 4,300K (neutral white) |

*Wireless and DALI controls available for select models, please reference the controls brochure

All values typical unless otherwise stated
All lumen values are typical +/- 10%

DuroSite® LED High Bay Options and Accessories

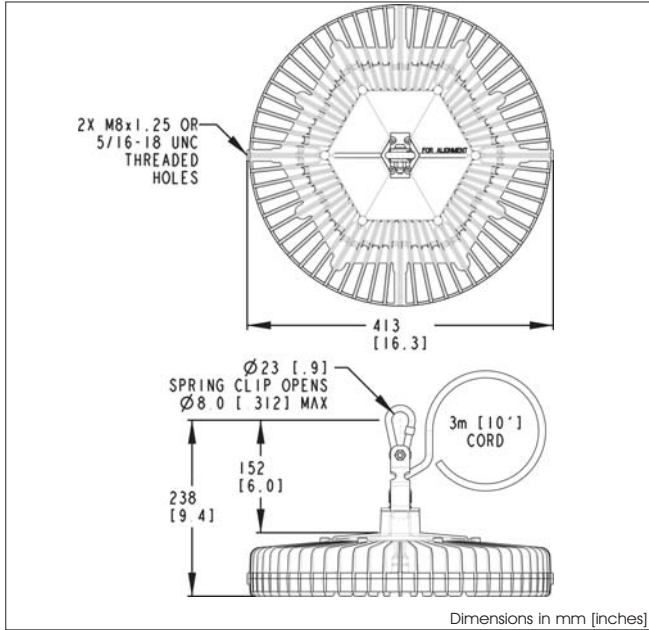
Variable Dimming: 0-10V DC



Dialight offers a series of High Bay products with ACTIVE Dimming. Dimming permits the user to select a specific light output and power consumption to meet their requirements. The reduction in light output and power consumption are approximately proportional. Reducing the light output by 50% will reduce the power consumption by 50%. LEDs are particularly well suited for dimming as compared to other industrial light sources.

STEP Dimming Mode

The variable dimming High Bays may also be configured to operate in a single STEP Dimming configuration. When the dimming control conductors are connected together, the light output will be reduced to approximately 20% of the maximum light output. The total fixture power consumption will also be reduced to approximately 20% (30 W). Connecting the leads together can be accomplished with a common wall switch.



Mechanical, Electrical and Photometric information is the same on page 1 except where detail is provided

Variable Dimming Cable: Dimming connections included in factory installed 5 core cable. Multiple high bays can be connected to the same dimmer, consult dimming instructions and manufacturer

Variable Dimming Control: 0-10 V DC active

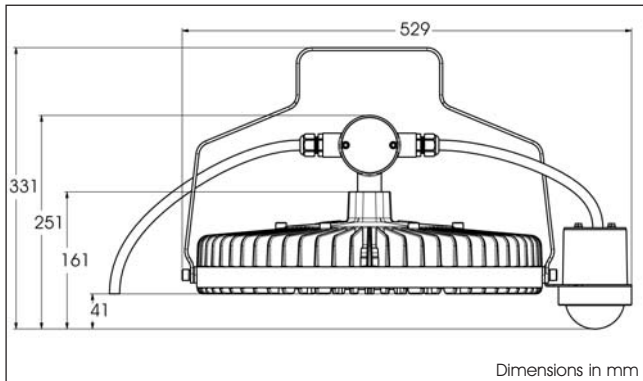
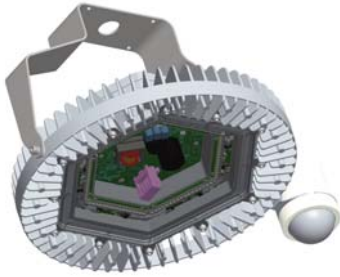
Typical Dimming Range: 10V DC = 100% light output
0V DC = 20% light output and power consumption

Features and Benefits

- 3 meter, 5 core PVC cable pre-installed
- Multiple High Bays can be connected to the same dimmer
- May also be configured to operate in a single STEP Dimming configuration, please consult technical department

DuroSite® LED High Bay

Automatic daylight dimming and occupancy sensor



Features and Benefits

- No additional electrical connections required
- Once installed, the lights can be programmed and set up from the ground using the remote control (sold separately, for full list of part codes, see table 'Ordering Information')
- Allows user to maximise their energy savings by having the lights on only when needed
- Senses heat movement across the sensing zones - consult factory for more details
- Consult factory for recommended installation guidelines and applications
- The sensor is covered by a 5-year manufacturers warranty
- Luminaires come with either a 5 or 10 year warranty

Mechanical, Electrical and Photometric information is the same as on page 1 except where detail is provided

| | |
|------------------------|--|
| Weight: | 8.4kg (18.5 lbs) |
| Sensor Mounting: | Cable input 3 metre 3 core cable fitted |
| Sensor Timing | |
| Non dimming model: | 1,5,10,15 and 30 mins. |
| Dimming model: | On, Off, 1, 10, 30 and 60 mins. |
| Sensor operation: | Dependant on application and height, please consult technical department |
| Operating voltage: | 230 / 240V AC only |
| Operating Temperature: | -30°C + 50°C (-22°F + 122°F) |
| IP Rating: | IP 54 to EN60529 |

DuroSite® LED High Bay

Ordering Information

| Part Number | Initial Fixture Lumens | Wattage | Lumens Per Watt | Lens | | Optical Pattern | | Variable Dimming |
|--|------------------------|---------|-----------------|----------------|---------------|-----------------|-------|------------------|
| | | | | Clear | Diffused | Circular | Aisle | |
| Standard Models - 10 Year Warranty | | | | | | | | |
| HLGC4KN-EUH-10YR | 25,000 | 270 | 93 | Tempered Glass | | • | | |
| HLGC4KN-EUDH-10YR | 25,000 | 270 | 93 | Tempered Glass | | • | | • |
| HBGCMP-EUH | 17,500 | 172 | 102 | Tempered Glass | | • | | |
| HBGC4P-EUH | 14,500 | 161 | 90 | Tempered Glass | | • | | |
| HBLCMP-EUH | 15,000 | 172 | 87 | | Polycarbonate | • | | |
| HBEC4P-EUH | 13,500 | 161 | 84 | Tempered Glass | | | • | |
| Variable Dimming Models - 10 Year Warranty | | | | | | | | |
| HBGCMP-EUDH | 17,500 | 172 | 102 | Tempered Glass | | • | | • |
| HBGC4P-EUDH | 14,500 | 161 | 90 | Tempered Glass | | • | | • |
| HBEC4P-EUDH | 13,500 | 161 | 83 | Tempered Glass | | | • | • |

| Part Number | Initial Fixture Lumens | Wattage | Lumens Per Watt | Lens | | Optical Pattern | |
|--|------------------------|---------|-----------------|----------------|---------------|-----------------|-------|
| | | | | Clear | Diffused | Circular | Aisle |
| Standard Models - 5 Year Warranty | | | | | | | |
| HBEC4N-EUH | 11,750 | 146 | 80 | Tempered Glass | | | • |
| HB1C4N-EUH | 11,500 | 146 | 79 | Acrylic | | • | |
| HB5C4N-EUH | 10,750 | 146 | 74 | | Acrylic | • | |
| HB0C4M-EUH | 10,750 | 146 | 74 | Polycarbonate | | • | |
| HB2C4M-EUH | 10,000 | 146 | 68 | | Polycarbonate | • | |
| HB7C4M-EUH | 10,000 | 146 | 68 | | Polycarbonate | | • |
| Occupancy Sensor Models - 5 Year Warranty | | | | | | | |
| HBJGCMPEUOS | 17,500 | 172 | 102 | Tempered Glass | | • | |
| HBJGCMPEUOSD | 17,500 | 172 | 102 | Tempered Glass | | • | |
| HBJGC4PEUOS | 14,500 | 161 | 90 | Tempered Glass | | • | |
| HBJGC4PEUOSD | 14,500 | 161 | 90 | Tempered Glass | | • | |
| HBJ1C4NEUOS | 11,500 | 146 | 79 | Acrylic | | • | |
| HBJ5C4NEUOS | 10,750 | 146 | 74 | | Acrylic | • | |
| HBJ0C4MEUOS | 10,750 | 146 | 73 | Polycarbonate | | • | |
| HBJ2C4MEUOS | 10,000 | 146 | 68 | | Polycarbonate | • | |
| HBJ7C4MEUOS | 10,000 | 146 | 68 | | Polycarbonate | | • |
| Variable Dimming Models - 5 Year Warranty | | | | | | | |
| HBEC4N-EUDH | 11,750 | 146 | 80 | Tempered Glass | | • | |
| HB1C4N-EUDH | 11,500 | 146 | 79 | Acrylic | | • | |
| HB5C4N-EUDH | 10,750 | 146 | 74 | | Acrylic | • | |
| HB0C4M-EUDH | 10,750 | 146 | 73 | Polycarbonate | | • | |
| HB2C4M-EUDH | 10,000 | 146 | 68 | | Polycarbonate | • | |
| HB7C4M-EUDH | 10,000 | 146 | 68 | | Polycarbonate | | • |
| Occupancy Sensor with Dimming Models - 5 Year Warranty | | | | | | | |
| HBJGC4PEUOSD | 14,500 | 161 | 90 | Tempered Glass | | • | |
| HBJ1C4NEUOSD | 11,500 | 146 | 79 | Acrylic | | • | |
| HBJ5C4NEUOSD | 10,750 | 146 | 74 | | Acrylic | • | |
| HBJ0C4MEUOSD | 10,750 | 146 | 73 | Polycarbonate | | • | |
| HBJ2C4MEUOSD | 10,000 | 146 | 68 | | Polycarbonate | • | |
| HBJ7C4MEUOSD | 10,000 | 146 | 68 | | Polycarbonate | | • |

Notes for all models:

¹ Part numbers listed in the above table are cool white. For neutral white models replace the 4th character with an **N** Ex: HB1**C**4N-EUH becomes HB1**N**4N-EUH

² Part numbers listed in the above table are 70 CRI cool white. For 80 CRI cool white models replace the 4th character with an **B** Ex: HB1**C**4N-EUH becomes HB1**B**4N-EUH. For 80 CRI neutral white models replace the 4th character with an **M** Ex: HB1**C**4N-EUH become HB1**M**4N-EUH. Choosing 80 CRI will decrease the lumen output by 20%

³ Third party occupancy sensors contained in or attached to the Products are covered by the applicable manufacturer warranty.

Notes for standard models only:

⁴ Numbers listed in the tables above come with a flat lens. These can be ordered with a polycarbonate dome lens; replace 3rd character with an **L** Ex: HB1**C**4N-EUH becomes HB1**L**C4N-EUH

⁵ For junction box models; add a **J** after the 2nd character Ex: HB1**C**4N-EUH becomes HB1**J**1C4N-EUH (not applicable for 25,000 High Bay)

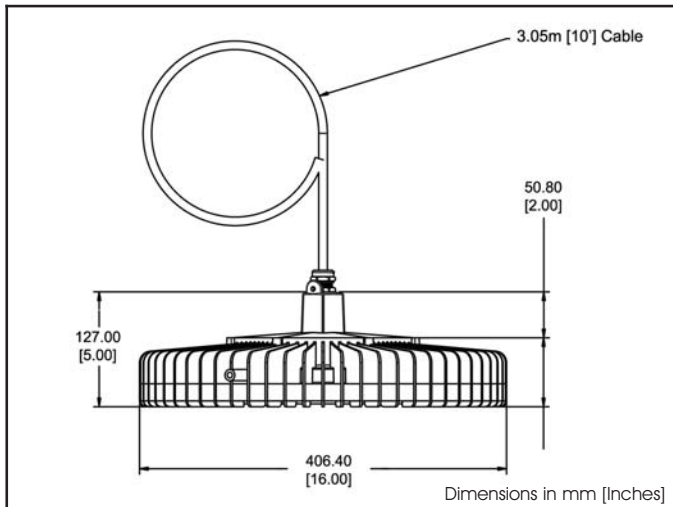
DuroSite® LED High Bay

Accessories

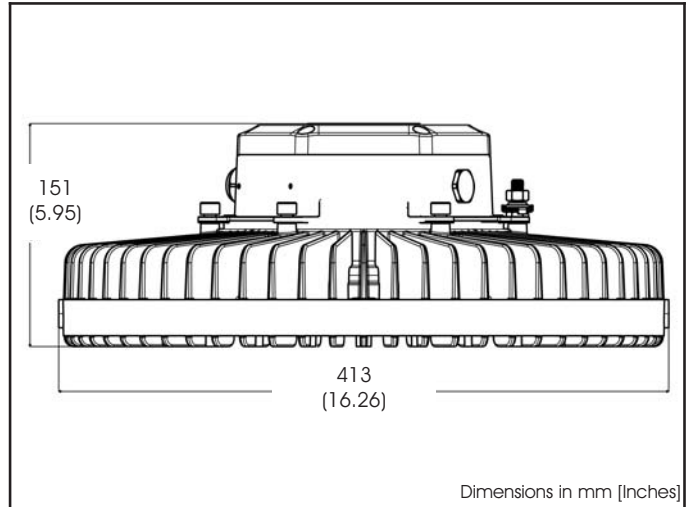
| | Part Number | Description | Kit Includes | Compatibility | |
|---|-------------|---|---|-----------------|----------|
| | | | | 8,500 -17,500lm | 25,000lm |
|  | HBXW3-SS | Swivel Bracket Stainless Steel (Interior or exterior use) | Swivel Bracket Bracket to fixture hardware | • | |
|  | HLXW3-SS | Swivel Bracket Stainless Steel | Swivel Bracket Bracket to Fixture Hardware | | • |
|  | HLXW3 | Swivel Bracket (Grey powder coated) | Swivel Bracket Bracket to Fixture Hardware | | • |
|  | HBXGS-10 | Glare Shield - sets of 10 Grey (RAL7040) powder coated spun aluminium (Interior use only, for use with flat lens options) | Aluminium shield and securing hardware | • | • |
|  | HBXSBK | Sand blast kit (flat lens) | Bracket and flat lens | • | • |
| | HBXSBL | Sacrificial flat Lens | Replacement flat lens | • | • |
|  | HBXSBDK | Sand blast kit (dome lens) | Bracket and dome lens | • | • |
| | HBXSBDL | Sacrificial dome Lens | Replacement dome lens | • | • |

Mechanical Drawings

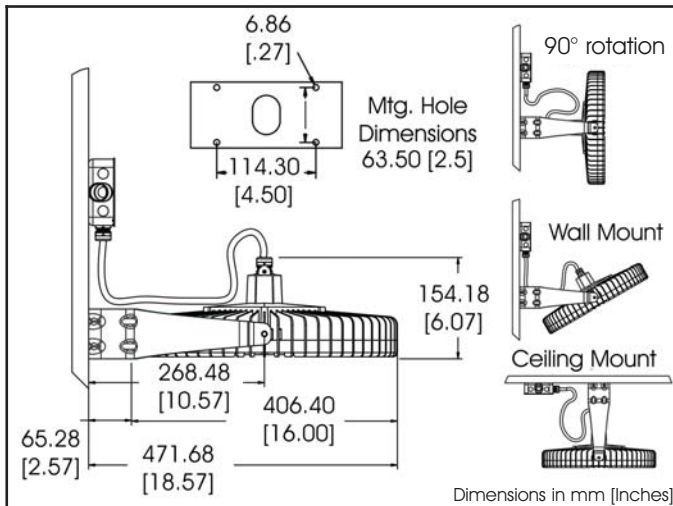
HBXXX-EU (Standard models)



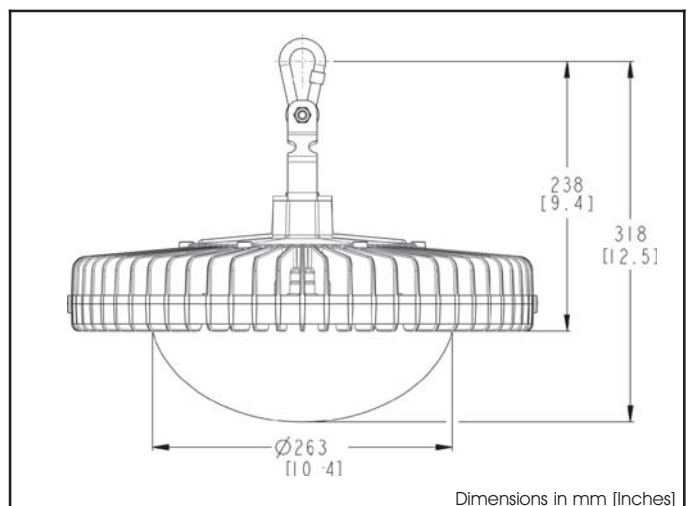
HBJXXX-EU (Junction box types)



HBXW3




HBLXXX-EUH (Dome lens type)



DuroSite® LED High Bay

Mounting Height

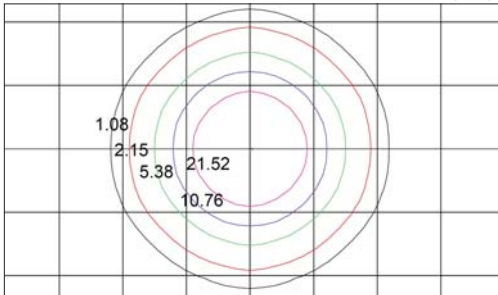
| Lumens | Wattage | lm/W | Mounting Heights |
|--------|---------|------|---|
| 25,000 | 270 | 93 | <div style="text-align: center;"> 24m  5m </div> |
| 17,500 | 172 | 102 | |
| 14,500 | 161 | 90 | |
| 10,000 | 146 | 68 | |

Iso-Illuminance

Candela Plots

25,000 lumen model

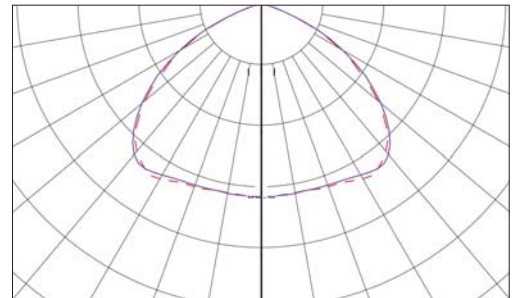
HLGC4KN-EUH-10YR - Circular Pattern (lux)



Examples shown is mounted at 12m
Distance of grid is equal to Mounting Height
Values stated are in lux

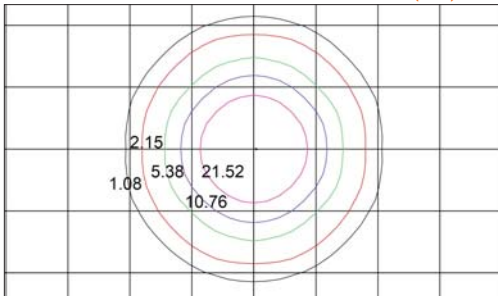
| Mounting Height | Multiplier |
|-----------------|------------|
| 3m | 16.000 |
| 5m | 7.111 |
| 6m | 4.000 |
| 8m | 2.560 |
| 9m | 1.778 |
| 11m | 1.306 |
| 12m | 1.000 |
| 14m | 0.790 |
| 15m | 0.640 |

HLGC4KN-EUH-10YR - Circular Pattern



17,500 lumen model

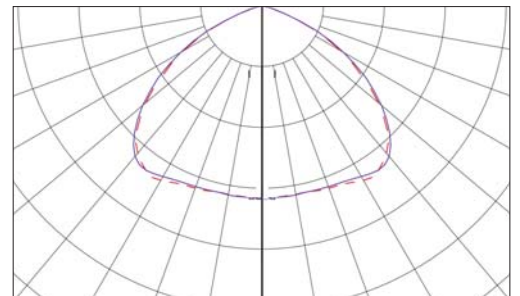
HBGCMP-EUH - Circular Pattern (lux)



Examples shown is mounted at 11m
Distance of grid is equal to Mounting Height
Values stated are in lux

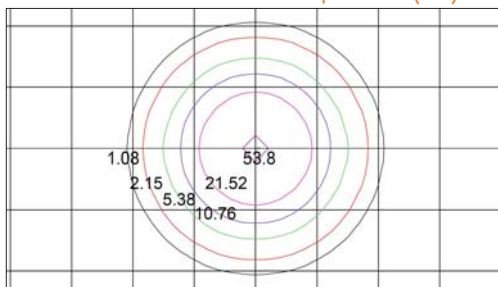
| Mounting Height | Multiplier |
|-----------------|------------|
| 3m | 12.250 |
| 5m | 5.44 |
| 6m | 3.063 |
| 8m | 1.960 |
| 9m | 1.361 |
| 11m | 1.000 |
| 12m | 0.766 |
| 14m | 0.605 |
| 15m | 0.490 |

HBGCMP-EUH - Circular Pattern



14,500 lumen model

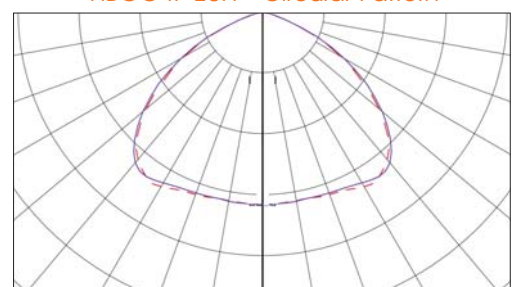
HBGC4P-EUH - Circular pattern (lux)



Examples shown is mounted at 9m
Distance of grid is equal to Mounting Height
Values stated are in lux

| Mounting Height | Multiplier |
|-----------------|------------|
| 3m | 9.000 |
| 5m | 4.000 |
| 6m | 2.250 |
| 8m | 1.440 |
| 9m | 1.000 |
| 11m | 0.735 |
| 12m | 0.563 |
| 14m | 0.444 |
| 15m | 0.360 |

HBGC4P-EUH - Circular Pattern



DuroSite® LED High Bay

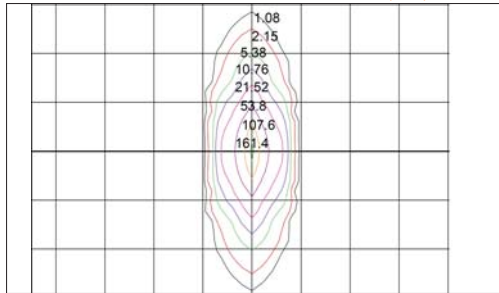
Measurement Data

Iso-Illuminance

Candela Plots

13,500 lumen model

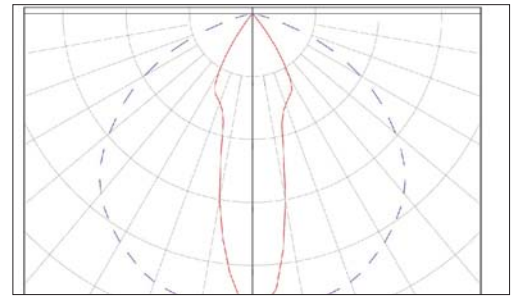
HBEC4P-EUH - Aisle Pattern (lux)



Examples shown is mounted at 9m
Distance of grid is equal to Mounting Height
Values stated are in lux

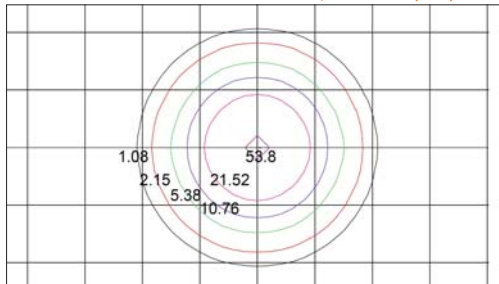
| Mounting Height | Multiplier |
|-----------------|------------|
| 3m | 9.000 |
| 5m | 4.000 |
| 6m | 2.250 |
| 8m | 1.440 |
| 9m | 1.000 |
| 11m | 0.735 |
| 12m | 0.563 |
| 14m | 0.444 |
| 15m | 0.360 |

HBEC4P-EUH - Aisle Pattern



10,750 lumen model

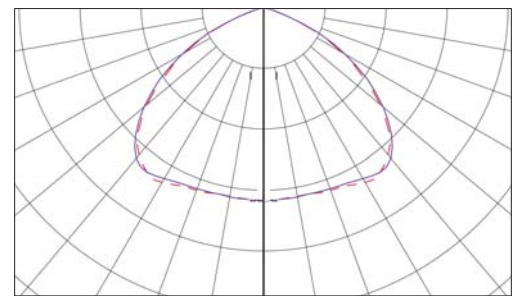
HB0C4M-EUH- Circular pattern (lux)



Examples shown is mounted at 8m
Distance of grid is equal to Mounting Height
Values stated are in lux

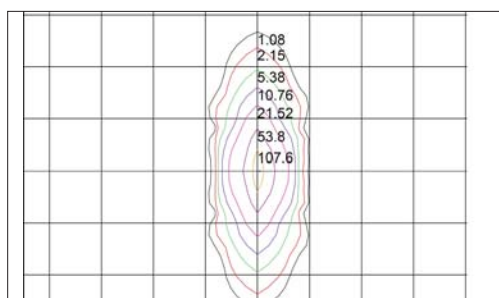
| Mounting Height | Multiplier |
|-----------------|------------|
| 3m | 6.250 |
| 5m | 2.778 |
| 6m | 1.563 |
| 8m | 1.000 |
| 9m | 0.694 |
| 11m | 0.510 |
| 12m | 0.391 |
| 14m | 0.309 |
| 15m | 0.250 |

HB0C4M-EUH - Circular Pattern



10,000 lumen model

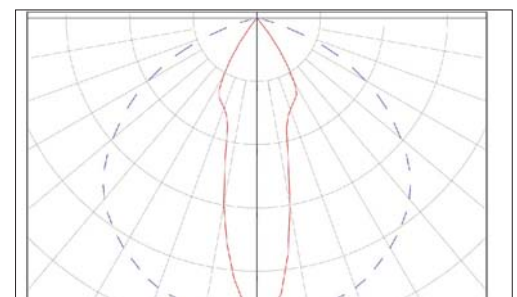
HB7C4M-EUH - Aisle Pattern (lux)



Examples shown is mounted at 8m
Distance of grid is equal to Mounting Height
Values stated are in lux

| Mounting Height | Multiplier |
|-----------------|------------|
| 3m | 6.250 |
| 5m | 2.778 |
| 6m | 1.563 |
| 8m | 1.000 |
| 9m | 0.694 |
| 11m | 0.510 |
| 12m | 0.391 |
| 14m | 0.309 |
| 15m | 0.250 |

HB7C4M-EUH - Aisle Pattern



DuroSite® LED High Bay

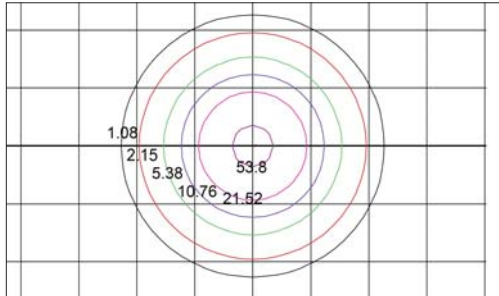
Measurement Data

Iso-Illuminance

Candela Plots

10,000 lumen model

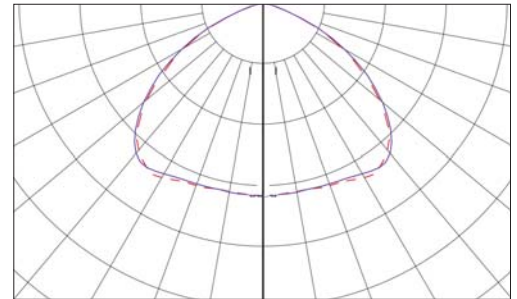
HB2C4M-EUH - Circular Pattern (lux)



Examples shown is mounted at 6m
Distance of grid is equal to Mounting Height
Values stated are in lux

| Mounting Height | Multiplier |
|-----------------|------------|
| 3m | 4.000 |
| 5m | 1.778 |
| 6m | 1.000 |
| 8m | 0.640 |
| 9m | 0.444 |
| 11m | 0.327 |
| 12m | 0.250 |
| 14m | 0.198 |
| 15m | 0.160 |

HB2C4M-EUH - Circular Pattern



Dialight reserves the right to make changes at any time in order to supply the best product possible. The most current version of this document will always be available at: www.dialight.com/Assets/Brochures_And_Catalogs/Illumination/MDEXHBEU001.pdf. Warranty Statement: EXCEPT FOR THE WARRANTY EXPRESSLY PROVIDED FOR [HEREIN/ABOVE/BELOW], DIALIGHT DISCLAIMS ANY AND ALL OTHER WARRANTIES, EXPRESS OR IMPLIED, INCLUDING, WITHOUT LIMITATION, ANY WARRANTIES OF MERCHANTABILITY, FITNESS FOR A PARTICULAR PURPOSE, TITLE, AND NONINFRINGEMENT.